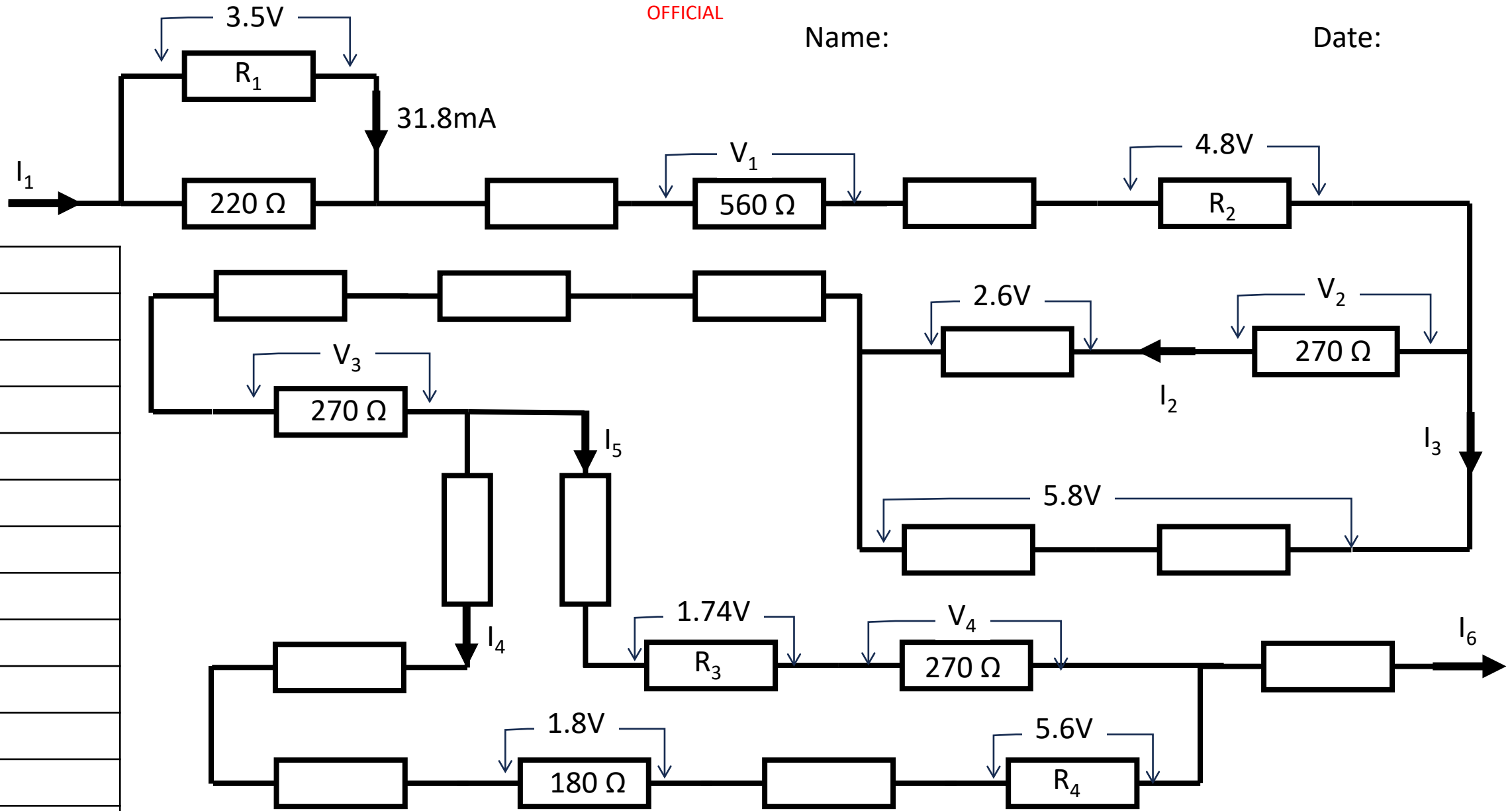


OFFICIAL

Name:

Date:



I_1	
I_2	
I_3	
I_4	
I_5	
I_6	
V_1	
V_2	
V_3	
V_4	
R_1	
R_2	
R_3	
R_4	

OFFICIAL